

# Outdoor PTZ dome IP camera



## Outdoor H.264 PTZ Dome IP Camera - 37x Zoom

The camera includes TDSi's Video Analytic solution as standard and removable IR cut filter.

# outdoor PTZ dome IP camera

DS0085\_Issue 1

## SPECIFICATIONS

TDSi Part No.	5012-0364
<b>Camera Module</b>	
Image Sensor	1/4" Sony Exview HAD CCD
Number of effective Pixel	NTSC - 768(H) x 494(V) 380 K PAL - 752(H) x 582(V) 440 K
Horizontal resolution	530 TVL
Lens (Optical) Lens (Digital)	37x Optical Zoom (F=1.6~F4.5, f=3.4 to 122.4 mm) 12x (444x with optical)
Day & Night (ICR)	Auto / Day / Night
Min. Shooting Distance	0.32m (Wide) / 1.5m (Tele)
Digital Slow Shutter	ON / OFF
Minimum Illumination	0.1 Lux (50 IRE): (Normal mode), 0.01 Lux (ICR On): (Night mode)
Luminance S/N ratio	More than 50dB
BLC	ON / OFF
WDR	Support
Flicker less (NTSC)	ON / OFF
<b>PAN / TILT</b>	
Pan Rotation Angle	360 Quick Endless Rotation
Pan Speed (Manual)	0.5° ~ 100 or 200° / sec (64 steps)
Pan Speed (Preset)	Max 300° / sec, Min 10° / sec
Tilt Rotation Angle	-2 ~ 90°
Tilt Speed (Manual)	0.5 ~ 45° / sec (64 steps)
Tilt Speed (Preset)	Max 250° / sec, Min 200° / sec
System Accuracy	0.024
<b>Dome</b>	
Presets	165 positions with 16 character labels available for each position with different speed steps
Guard Tour	Max 8 Groups (Each one consisting of up to 60 steps)
Auto Pan	Programmable Auto Scan
Pattern	8 Programmable Patterns (Total 480 seconds)
Sector	9 Selectable Sectors with 16 characters
Privacy Zone	24
Auto Flip	On / OFF
OSD menu	Yes
<b>Video</b>	
Compression Format	H.264, MPEG-4, MJPEG
Number of Streams	Dual Stream, Configurable
Resolution	D1, CIF, QCIF
Compression FPS	25/30 fps@D1
Deinterlacing	Support (DSP)
Motion Detection	Support (DSP)
Burnt-in Text (Digital)	Support (DSP)
Output	1 Loop Out (BNC Connector)

TDSi Part No.	5012-0364
<b>Audio</b>	
Input	1 channel
Output	1 channel
Compression Format	G.711
<b>Function</b>	
Digital Input	4 channel
Digital Output	2 channel
RS-485	Support
RS-232C	Not Available
Network	10 / 100 Base-T
Protocol	TCP/IP, UDP/IP, HTTP, RTSP, RTP/UDP, RTP/TCP, SNMP, mDNS, UPnP, SMTP, SOCK, IGMP, DHCP, DDNS, SSL v2/v3, IEEE 802.1X, SSH
USB 2.0	Not Available
SD Memory Card Slot	Support (microSD type)
<b>Electrical</b>	
Power Source	18~32 VAC 60/50Hz 1.5A
Power over Ethernet	Not Available
Power Consumption (Approx)	36W Max
<b>Environmental</b>	
Fan / Heater	Fan and heater
Operating Temperature	-40°C ~ 50°C (-40°F ~ 122°F)
Certification	FCC/ CE, IP66
Operating Humidity	Up to 85% RH (Non-condensing)
<b>Mechanical</b>	
Material	Aluminum , Anti-vandal bubble (Poly Carbonate)
Color	Cool gray
Dimension	Housing: 190(ø) x 307(H) mm
Weight (Approx)	5.7 kg
<b>Video Content Analysis (Included as Standard)</b>	
High Performance	Advanced Tracking Algorithm, Low False Alarm Rate
Easy to Use	Intuitive Web Browser Interface
Detection Zones	Multi-segment Polygons and Lines
On-screen Display	Real-time Display of Tracking Data and Events
<b>Video Content Analysis (Option)</b>	
Detection Behavior	Direction, Stopping, Loitering, Entering, Exiting, Appear, and Disappear Filters
3D Behavior	Perspective Corrected Size and Speed Filters
Statistics	Counting Functions and Other Statistics
Meta Data	Binary XML Format
<b>Image Stabilization (Option)</b>	
Electronic Stabilization	Removes Camera Sway

## FEATURES & BENEFITS

**Built-in Video Content Analytics**  
**Up to 432X Zoom (Optical 36X, Digital 12X) Selectable**  
**H.264 25/30 FPS@D1, 2-way Audio**  
**Video Compression: H.264, MPEG-4, MJPEG (Dual Stream)**  
**Day & Night (IR Cut Filter), DSS**  
**De-interlacing on DSP**  
**Burnt-in Text, Video Motion Detection Support**  
**Providing only SDK, not Complete Application Software**  
**Stealth Spin (World Most Silent Speed Dome)**  
**0.024 Dome System Accuracy with 1/8 micro Step**

**Controlling Pan/Tilt Speed While Zooming**  
**Reliable Materials**  
**Power Misconnection Protection Function on RS-485 Terminal**

## ORDERING INFORMATION

**Part Number: 5012-0364**

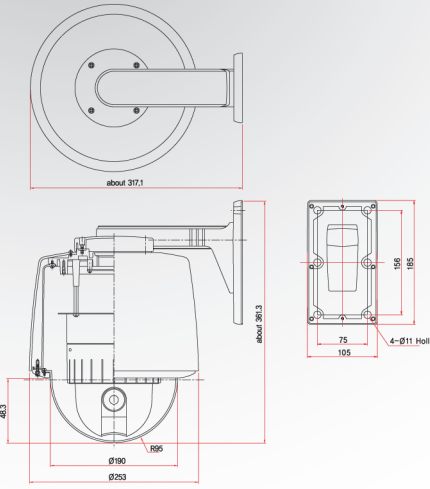


**TDSi UK**  
 Unit 10 Concept Park,  
 Innovation Close,  
 Poole,  
 Dorset BH12 4QT  
 United Kingdom  
 t: +44 (0)1202 723535  
 f: +44 (0)1202 724975  
 e: sales@tdsi.co.uk

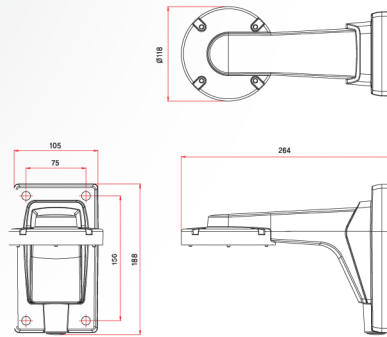
**TDSi France**  
 Immeuble ATRIA,  
 2 rue du Centre,  
 93160 NOISY LE GRAND,  
 France  
 t: +33 (0)1 58 84 20 90  
 f: +33 (0)1 58 84 20 91  
 e: infos@tdsi-france.com

**TDSi China**  
 Rm 103, 1 Bld,  
 Shangsha Innovation Science  
 & Technology Park,  
 9283 Binhai Road,  
 Futian District,  
 Shenzhen 518048,  
 P.R.China  
 t: 86-755-82535725,  
 82535720  
 f: 86-755-82535770  
 e: tdsiinfo@microgarde.com.cn

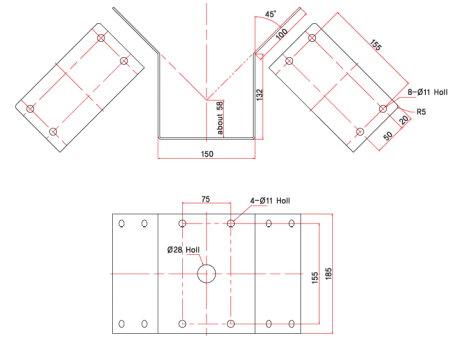
# outdoor PTZ dome IP camera



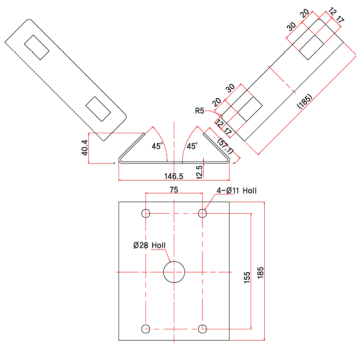
5012-0364



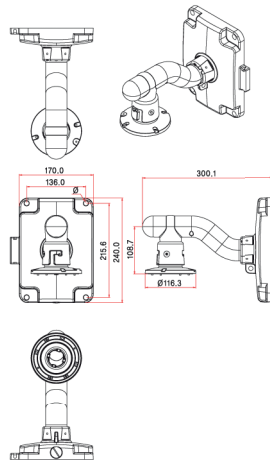
Wall Mount Bracket  
5012-0413



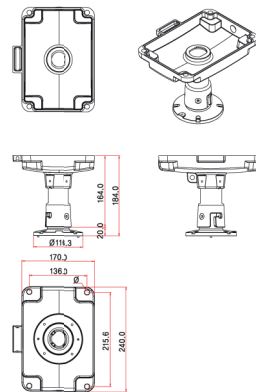
Corner Mount Adaptor  
5012-0430



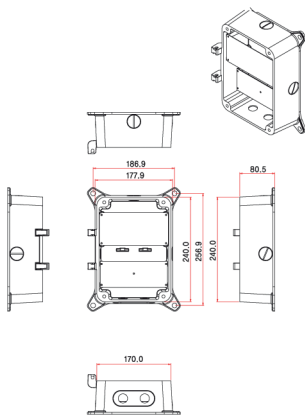
Pole Mount Adaptor  
5012-0434



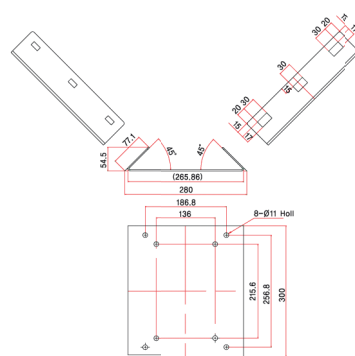
Wall Mount Bracket  
5012-0414



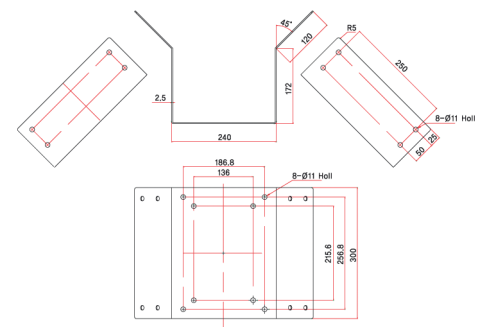
Ceiling Mount Bracket  
5012-0424



Junction Box  
5012-0460



Corner Mount Adaptor  
5012-0433



Pole Mount Adaptor  
5012-0434